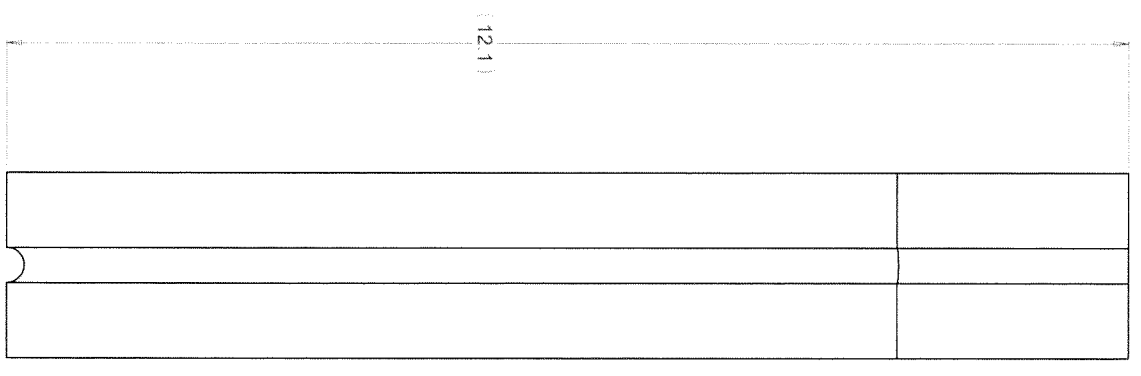
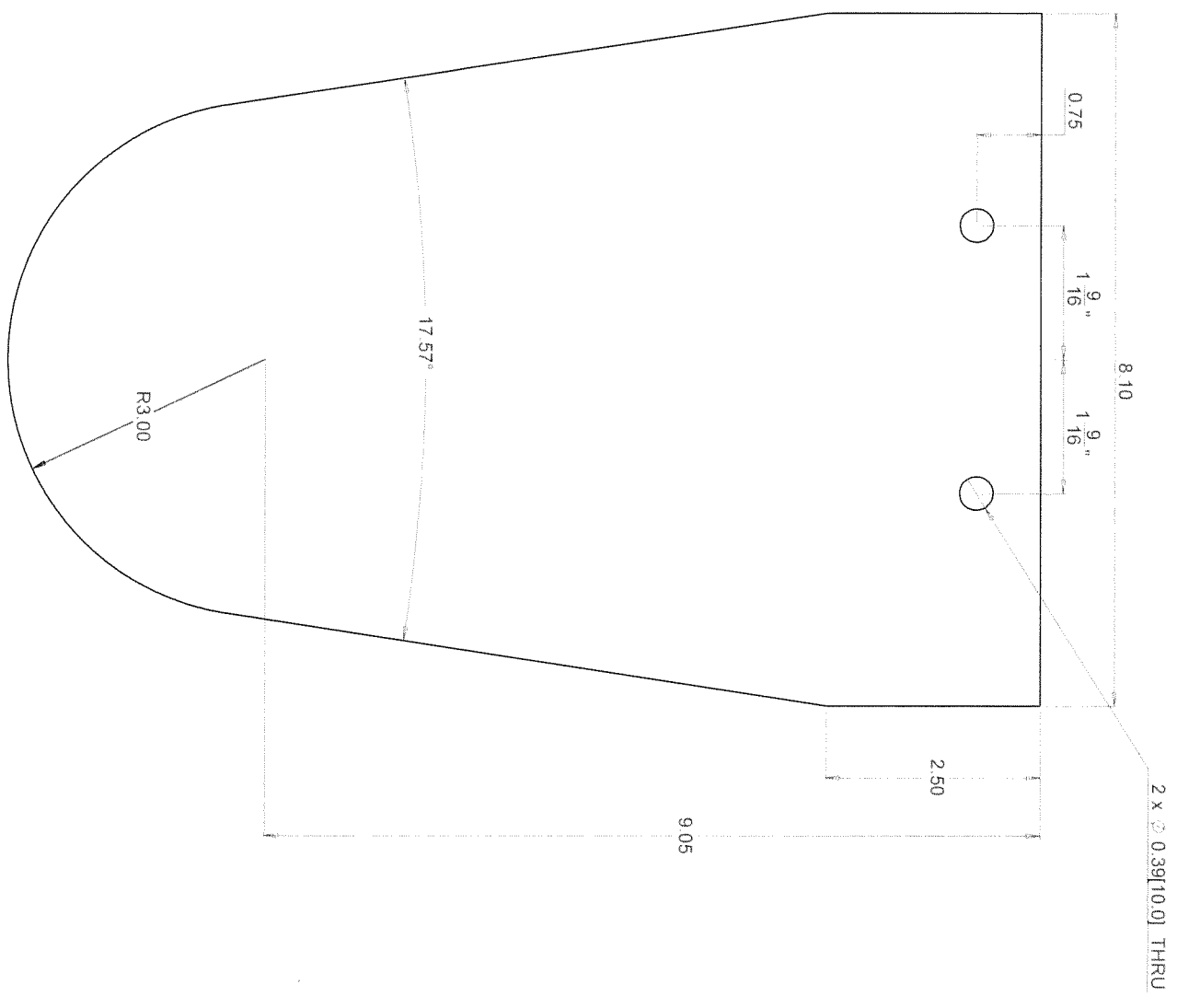
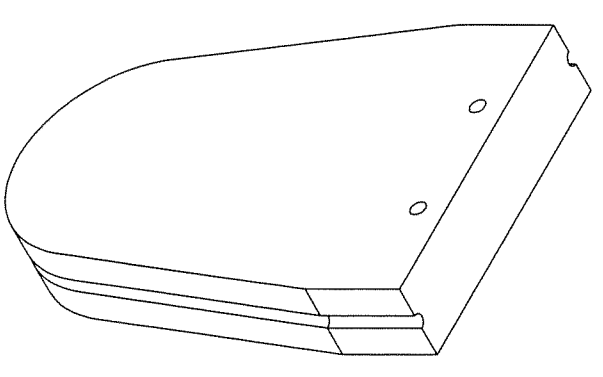
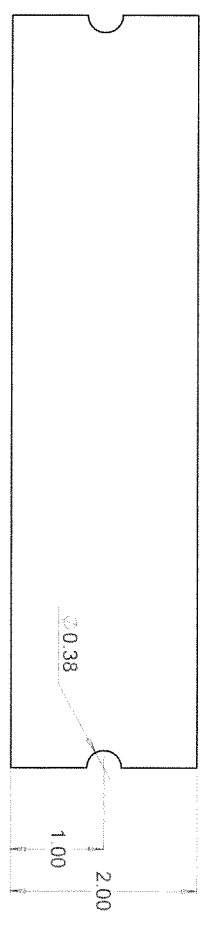


ZONE REV	DESCRIPTION	DATE	APPROVED
0	INITIAL RELEASE	7/5/2010	RJT



LINE-A--
LINE-D--

ITEM NO	PART NUMBER	DESCRIPTION	WEIGHT (KG)
1	SK 322 DAM	SK 322 DAM	

PROPRIETARY AND CONFIDENTIAL THIS DRAWING IS THE PROPERTY OF ALMEX USA INC. ALL RIGHTS RESERVED. REPRODUCTION & TRANSMISSION IS PROHIBITED.	MACHINING FINISH (RA) 32 / 125 / 16 / 63 / 25 / 100	THIRD ANGLE DRAWING	PROJECT: ALMEX TOOLING SK 322 DAM
TOLERANCES, MM AS FOLLOWS UNLESS OTHERWISE NOTED X = ± 0.1mm XX = ± 0.05mm XXX = ± 0.025mm	TOLERANCES, INCH AS FOLLOWS UNLESS OTHERWISE NOTED X = ± 0.005 XX = ± 0.0025 XXX = ± 0.0015	DO NOT SCALE DRAWING	ALMEX USA INC ALUMINUM CASTHOUSE TECHNOLOGY 6925 ARAGON CIRCLE, BUENA PARK, CA 90620, USA WWW.ALMEXUSA.COM
DESIGNED ARJ CHECKED RNS APPROVED RJT	DATE 06/10/2011 SHEET 1 OF 1	MATERIAL N17	WEIGHT - REV 0